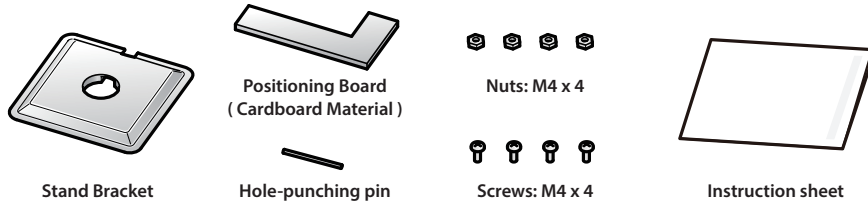


## mPOP Stand Bracket Installation Procedure

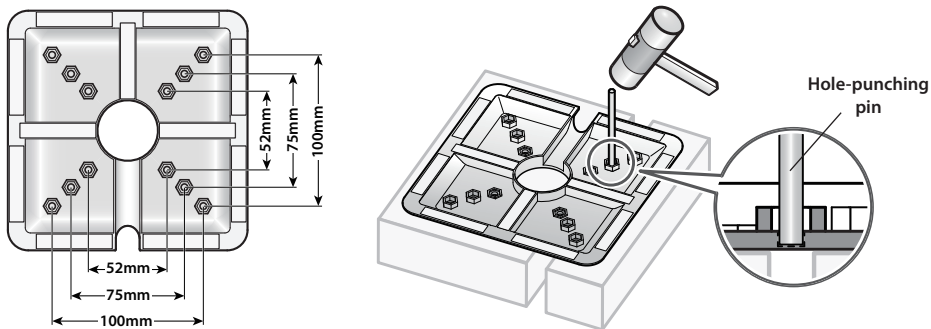
### Check the included parts

If any of the included parts are missing or damaged, please contact your vendor.

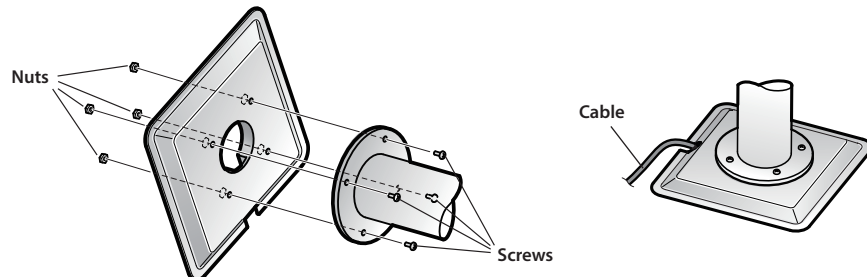


### Attach the Stand (Commercial Products) to the Stand Bracket

1. Confirm the amount of space between the attachment holes for the Stand which will be attached to the Stand Bracket, and then open the holes in the Stand Bracket. The holes can be opened by setting the included hole-punching pin against the thinnest part of the Stand Bracket's surface, and then striking the hole-punching pin with a plastic mallet or similar tool.



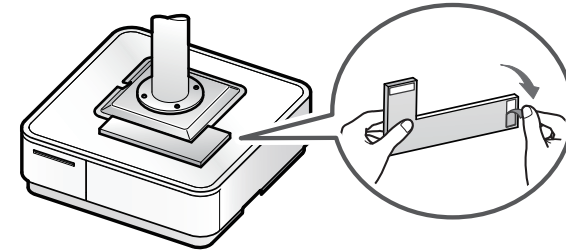
2. Attach the stand using the included screw bolts (4 pcs.) and nuts (4 pcs.). For stand types that are hollow for routing cables through them, at this point perform the routing of the cables through the stand.



- i** The included screw bolts can be used for attaching stands with mounting plates up to 4 mm in thickness. For stands with mounting plates thicker than 4 mm, please prepare longer screw bolts as required.

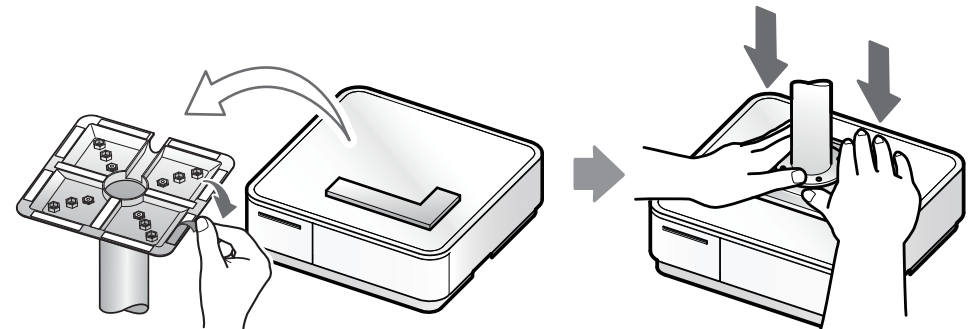
### Attach the Stand Bracket to the mPOP

1. Set the Stand Bracket with the attached Stand onto the mPOP, and decide the attachment position. Remove the paper backing covering the tape on the underside of the included positioning board, and then apply the positioning board onto the mPOP along the corner of the Stand Bracket.



- i** Before attaching the Stand Bracket, make sure that the protective film has been peeled off the top surface of the mPOP.

2. Remove all of the paper backing covering the tape on the underside of the Stand Bracket, and then re-set the Stand Bracket onto the mPOP, aligning it with the positioning board. Once set, press down firmly on the Stand Bracket to ensure strong adhesion to the mPOP.



- i** The adhesive tape on the Stand Bracket cannot be used again if the Stand Bracket is removed from the mPOP. Before applying the Stand Bracket to the mPOP, carefully check the placement position and the facing of the cabling.

3. Remove the positioning board.

